

# AsiaValves

## CONTROL VALVES

HVAC Control Valves | Butterfly Valves | Industrial Control Valves |

Electric Linear Actuator | Quarter Return Actuator | Pneumatic Linear Actuator



### HVAC CONTROL VALVES

#### BRONZE | CONTROL VALVES PN16



##### MC25

BR 216 / 316Z  
 DN15  
 PN16  
 kvs-value : 0.16 - 4 m<sup>3</sup>/h  
 Zone valve



##### MC55

BR 216 / 316RA  
 DN15 - DN50  
 PN16  
 kvs-value : 0.63 - 40 m<sup>3</sup>/h



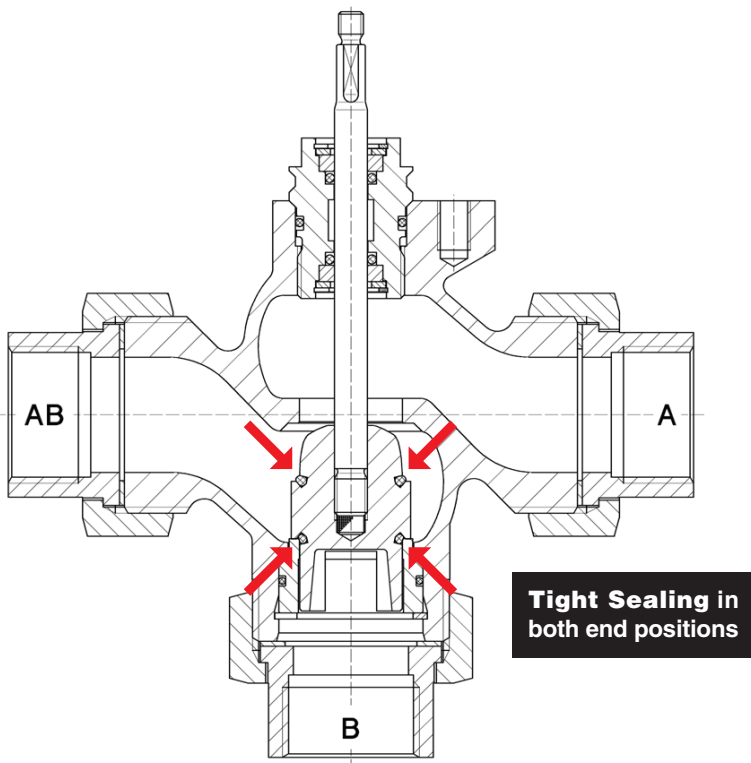
##### MC100

BR 216 / 316RA  
 DN15 - DN50  
 PN16  
 kvs-value : 0.63 - 40 m<sup>3</sup>/h



##### MC161

BR 216 / 316RA  
 DN32 - DN50  
 PN16  
 kvs-value : 12.5 - 40 m<sup>3</sup>/h



### HVAC CONTROL VALVES

#### BRONZE | DRINKING WATER CONTROL VALVES PN16



##### MC100

BR 216 / 316RA  
DN15 - DN50  
PN16  
kvs-value : 0,63 - 40 m3/h



##### MC161

BR 216 / 316RA  
DN32 - DN50  
PN16  
kvs-value : 12,5 - 40 m3/h



#### Valves with certified safety

*HORA control valves with DVGW test mark offer:*

*safety and hygiene in drinking watersystems, suitable for drinking water by a special design and tailor made manufacturing method and meet the latest German Drinking Water Ordinance (TrinkwV 2001).*

## HVAC CONTROL VALVES

### CAST IRON | CONTROL VALVES PN16



#### MC55

BR 206 / 216GF  
BR 306 / 316GF  
DN15 - DN50  
PN6 / 16  
kvs-value : 0.63 - 40 m3/h



#### MC100

BR 206 / 216GF  
BR 306 / 316GF  
DN15 - DN50  
PN6 / 16  
kvs-value : 0.63 - 63 m3/h



#### MC160

BR 206 / 216GF  
BR 306 / 316GF  
DN40 - DN100  
PN6 / 16  
kvs-value : 20 - 160 m3/h



#### MC250 / MC500

BR 206 / 216GF  
BR 306 / 316GF  
DN65 - DN150  
PN6 / 16  
kvs-value : 50 - 315 m3/h



#### MC1000

BR 206 / 216GF  
BR 306 / 316GF  
DN125 - DN150  
PN16  
kvs-value : 250 - 315 m3/h

## BUTTERFLY VALVE

### CONTROL BUTTERFLY VALVES



#### **M125(Y) - M180**

BR DR16Z  
DN25 - 200  
PN6 / 10 / 16  
kvs-value : 30 - 4095 m<sup>3</sup>/h



#### **OA6 - AS50**

BR DR16ZFA / BR DR16ZFR  
DN50 - DN400  
PN16  
kvs-value : 95 - 16350 m<sup>3</sup>/h



#### **M125 - M150**

BR DR6/16  
BR DRP6/16  
DN25 - DN200  
PN6 / 16  
kvs-value : 12 - 2400 m<sup>3</sup>/h



#### **Production plant**

*Gas- Brennwertsystem Weishaupt Thermo Condens*  
Power: 6 systems, each 60 kW

### INDUSTRIAL CONTROL VALVE

#### CONTROL VALVES PN16 / 25 / 40



##### MC103

BR 216 / 225 / 240S / 240E  
BR 316 / 325 / 340S / 340E  
DN15 - 40  
PN16 / 25 / 40  
kvs-value : 0.16 - 25 m3/h



##### MC163

BR 216 / 225 / 240S / 240E  
BR 316 / 325 / 340S / 340E  
DN15 - 65  
PN16 / 25 / 40  
kvs-value : 0.16 - 63 m3/h



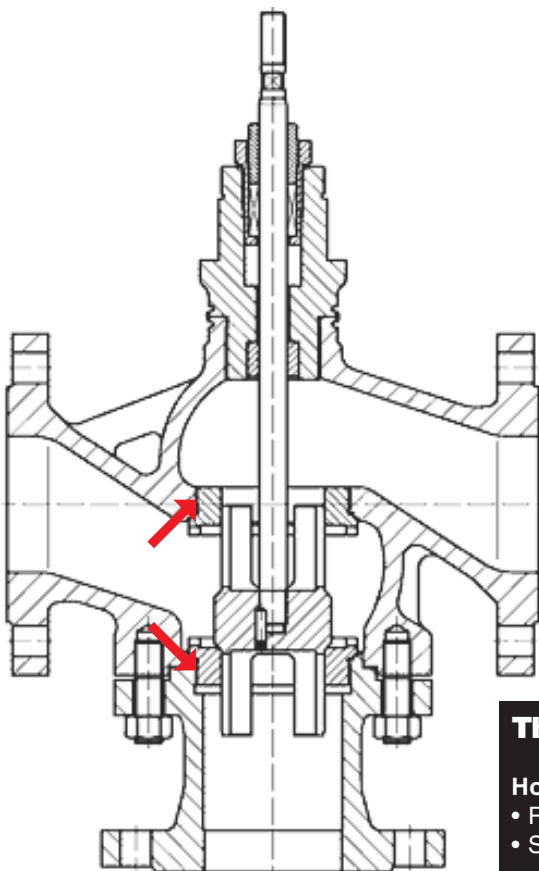
##### MC253 / MC503

BR 216 / 225 / 240S / 240E  
BR 316 / 325 / 340S / 340E  
DN15 - 150  
PN16 / 25 / 40  
kvs-value : 0.16 - 400 m3/h



##### MC403

BR 216 / 225 / 240S / 240E  
BR 316 / 325 / 340S / 340E  
DN15 - 150  
PN16 / 25 / 40  
kvs-value : 0.16 - 400 m3/h



#### Three way valve with screwed seats

Housing seat and nozzle seat screwed

- Reduced kvs- values
- Seat changeable in case of higher wearout

### INDUSTRIAL CONTROL VALVE



#### MC1003 / MC1503

BR 216 / 225 / 240S / 240E  
BR 316 / 325 / 340S / 340E  
DN65 - 300  
PN16 / 25 / 40  
kvs-value : 31.5 - 1250 m3/h



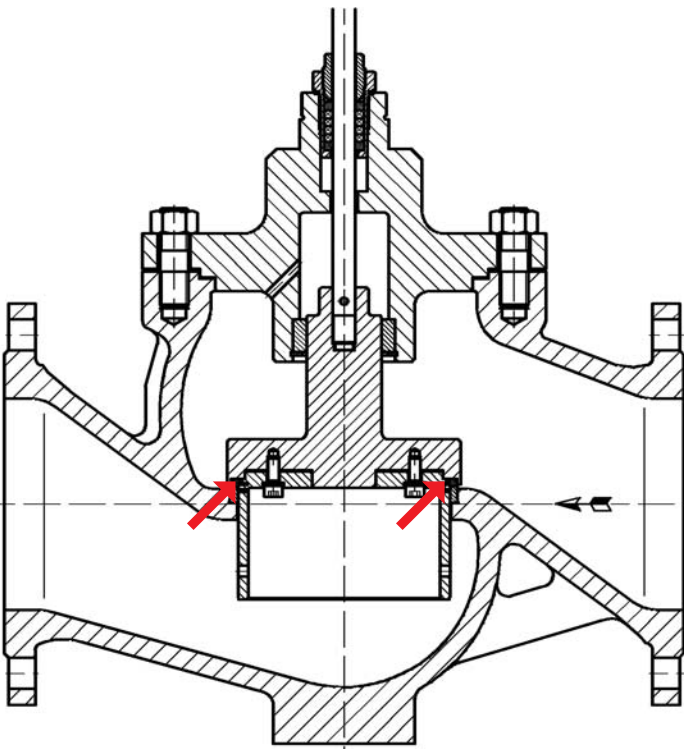
#### M300(Y)

BR 216 / 225 / 240S / 240E  
BR 316 / 325 / 340S / 340E  
DN125 - 300  
PN16 / 25 / 40  
kvs-value : 125 - 1600 m3/h



#### PN-N160 - PA2160

BR 216 / 225 / 240S / 240E  
BR 316 / 325 / 340S / 340E  
DN15 - 600  
PN16 / 25 / 40  
kvs-value : 0.16 - 1250 m3/h



#### Perforated plug with soft sealing

Plug seat with PTFE soft sealing  
EN1349 seat leakage VI G1 (tight sealing)

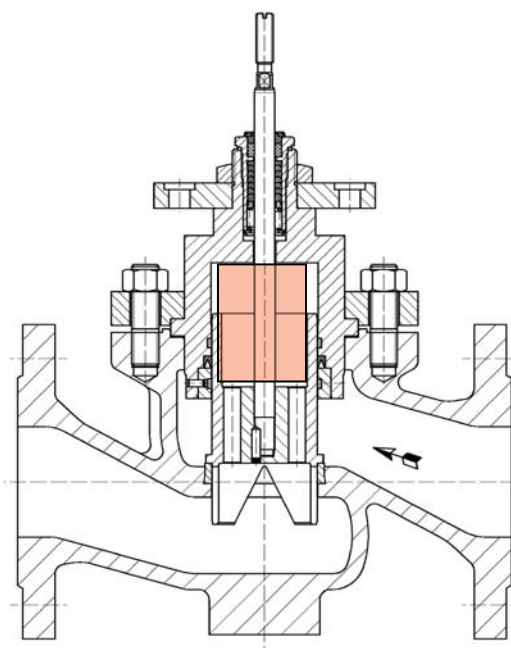
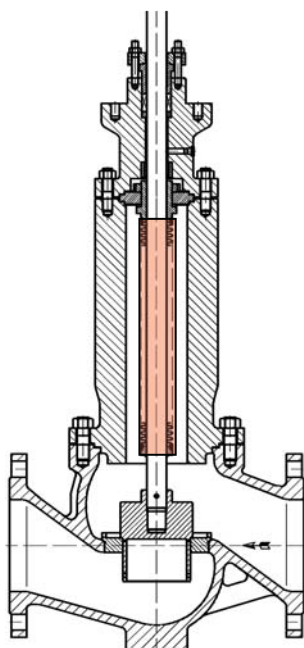
### INDUSTRIAL CONTROL VALVE

#### CONTROL VALVES FOR SPECIAL APPLICATION



#### BR240S (1313-05)

APPLICAION : Facilities for natural gas, oil, petrochemical  
 SIZES : DN15 - DN300 / ANSI 1" - 6"  
 PRESSURE : > PN40 (ANSI version up to CLASS 1500)  
 TEMPERATURE : 0 - 350°C  
 MATERIAL : Cast Steel



#### Stem sealing with bellows

Stainless steel bellows designed for min. 30,000 load changes

- used in case of hazard medium
- stem sealing for thermic oil application
- stem sealing for high or low temperature application (-40/+350°C)

#### Balanced plug

Reduced actuating thrust

≧ 250 °C with Turcon Variseal ring

≧ 250 °C with 1.4923 rings

- to achieve higher close off pressure
- smaller actuator can be selected



### ELECTRIC LINEAR ACTUATOR

#### MC SERIES



##### MC15

Actuating Trust : 0.15 kN  
 Actuating Time : 15 s/mm  
 Stroke : 9 mm  
 Enclosure Protection : IP40



##### MC55

Actuating Trust : 0.6 kN  
 Actuating Time : 9 • 5 s/mm  
 Stroke : max. 20 mm  
 Enclosure Protection : IP54 / IP30  
 Accessories : 115 VAC



##### MC100

Actuating Trust : 1.0 kN  
 Actuating Time : 12 • 9 • 4 • 1.9 s/mm  
 Stroke : max. 20 mm  
 Enclosure Protection : IP54 / IP65  
 Accessories : 115 VAC



##### MC103

Actuating Trust : 1.0 kN  
 Actuating Time : 12 • 9 • 4 • 1.9 s/mm  
 Stroke : max. 20 mm  
 Enclosure Protection : IP54 / IP65  
 Accessories : 115 VAC



##### MC160 / MC163

Actuating Trust : 1.6 kN  
 Actuating Time : 6 • 4 s/mm  
 Stroke : max. 30 mm  
 Enclosure Protection : IP54 / IP65  
 Accessories : 115 VAC



##### MC250 / MC253

Actuating Trust : 2.5 kN  
 Actuating Time : 5 • 2.5 s/mm  
 Stroke : max. 60 mm  
 Enclosure Protection : IP54 / IP65  
 Accessories : 115 VAC



##### MC403

Actuating Trust : 4.0 kN  
 Actuating Time : 0.6 • 0.4 s/mm  
 Stroke : max. 60 mm  
 Enclosure Protection : IP54 / IP65  
 Accessories : 115 VAC



##### MC500 / MC503

Actuating Trust : 5.0 kN  
 Actuating Time : 5 • 2.5 s/mm  
 Stroke : max. 60 mm  
 Enclosure Protection : IP54 / IP65  
 Accessories : 115 VAC



##### MC1000

Actuating Trust : 10.0 kN  
 Actuating Time : 1 s/mm  
 Stroke : max. 60 mm  
 Enclosure Protection : IP54 / IP65  
 Accessories : 115 VAC



##### MC1003

Actuating Trust : 10.0 kN  
 Actuating Time : 1 s/mm  
 Stroke : max. 80 mm  
 Enclosure Protection : IP54 / IP65  
 Accessories : 115 VAC



##### MC1503

Actuating Trust : 15.0 kN  
 Actuating Time : 2 s/mm  
 Stroke : max. 80 mm  
 Enclosure Protection : IP54 / IP65  
 Accessories : 115 VAC



##### M300(Y)-20kN

Actuating Trust : 20.0 kN  
 Actuating Time : 2.4 • 1.2 s/mm  
 Stroke : max. 90 mm  
 Enclosure Protection : IP65  
 Accessories : Potentiometer

### ELECTRIC LINEAR ACTUATOR

#### MC SERIES



##### M300(Y)-25kN

Actuating Thrust : 25.0 kN  
 Actuating Time : 2.4 • 1.2 s/mm  
 Stroke : max. 90 mm  
 Enclosure Protection : IP65  
 Accessories : Potentiometer

#### MC SERIES with FAIL-SAFE FUNCTION



##### MC103SE

Actuating Thrust : 1.0 kN  
 Actuating Time : 4 • 6 s/mm  
 Fail-Safe Time : 0.2 s/mm  
 Stroke : max. : 20 mm  
 Enclosure Protection : IP65



#### New failsafe model MC103-SE

##### New SE actuator:

- actuating thrust 1 kN
- based on the model HORA MC163
- uses of a special SE-cartridge instead of the common spindlenut
- failsafe function, based on the combination of a mechanical spring and a patented hydraulic design. The hydraulic is used to lock the unit as well as to unlock it in case of power failure and to dampen the movement of the actuator in failsafe mode.

##### It became immediately after its launch a great success!

*Spirax Sarco Ltd. UK, big supplier of steam valves, purchases several thousands units per year. They call it EL7200A-SE series.*

## ELECTRIC LINEAR ACTUATOR

### MC SERIES FEATURES & BENEFITS

#### Flexible

1. In series suitable for 3-point signal as well as for continuous control signal.
2. Possibility to change the speed on site by the simple use of DIP-switches.
3. DC (if of type rectified AC) is possible as well as AC in the 24V version.

*Note: The use of smoothed DC is possible with the MC103, MC253 and MC503.*

*For the MC1003, the thrust is reduce by 20%, for the MC1503 by 10% and for the*

*MC163 by 20%. The customer always has to note in the order the use of smoothed DC.*

*The use of the MC103-SE and the MC403 with smoothed DC is not possible.*

4. Prepared for looping-in of an external binary signal, e.g. a frost protection sensor
5. Prepared for additional options (position switches...)

#### User Friendly

1. Automatic calibration. Automatic measurement of the path as well as consideration of the tolerances of the valve.
2. Easy mounting of the actuator to the valve.
3. Cover can be fitted in four positions offset by 90° respectively. No screws are used.
4. Terminal board in the removable cap, easy to connect.
5. Safe handwheel for manual use, completely free during automatic mode.
6. Parameters can be changed on site without using a Laptop

#### Rugged and Reliable

1. Rugged planetary gearbox with exceptional life time. Compared to conventional gearboxes, in a planetary gearbox the resulting mechanical forces are distributed to 3 times more teeth simultaneously.
2. Thanks to the use of large dimensioned gearwheels made of Poly-Oxy-Methylene and Polyamide (partly reinforced with carbonfibers), almost no wear occurs:
  - Strongly reduced surface pressure.
  - No wearing effects e.g. like pitting or micro welding occur.
  - The lubrication sticks much longer to the surface than to metal.
3. Limited forces in the gearbox by the use of a stepper motor with soft start on point.
4. Contactless path measuring system with Hall effect sensor. No use of potentiometers, as potentiometers normally wear out.

#### Intelligent

1. Error detection in continuous mode: E.g. if a particle blocks the valve cone, the actuator tries up to seven times to loosen the cone. If it is still blocked, the actuator stops in order to protect the valve and itself. A LED on the board blinks slowly to show the problem.
2. Line break detection in continuous mode. Travel in safe position. Error is shown by a fast blinking LED.
3. Autotest function. When the function Autotest/Autopause is switched on, the actuator moves every ten days automatically to the chosen end position in order to avoid that the cone of the valve sticks in a certain position and to keep the valve working reliable
4. Autopause. When the function Autotest/Autopause is switched on, the actuator counts the commands. In case there are more than 20 commands of different direction per minute, the actuator will stop working for 3 seconds.

#### Easy to Serve

1. Housing easy to open.
2. No screws are used in the actuators.
3. No use of Laptop/PC necessary to change parameters on site.
4. Most components can be changed easily on site.
5. Internal electrical connectors are different to each other. No possibility to mix up.
6. All insulated design.

### ELECTRIC QUARTER TURN ACTUATOR

#### M SERIES



##### MC106Y

Norminal Torque : 6 Nm  
 Time for Rotation : 150 • 80 s/90°  
 Enclosure Protection : IP43  
 Accessories : 24VAC



##### M106

Norminal Torque : 6 Nm  
 Time for Rotation : 130 s/90°  
 Enclosure Protection : IP43  
 Accessories : 24VAC



##### M125

Norminal Torque : 25 Nm  
 Time for Rotation : 130 s/90°  
 Enclosure Protection : IP43  
 Accessories : 110VAC



##### M135

Norminal Torque : 35 • 15 Nm  
 Time for Rotation : 130 • 70 s/90°  
 Enclosure Protection : IP54 / IP65  
 Accessories : 24VAC



##### M140

Norminal Torque : 50 Nm  
 Time for Rotation : 10 s/90°  
 Enclosure Protection : IP54 / IP65  
 Accessories : 24VAC



##### M150

Norminal Torque : 50 • 40 Nm  
 Time for Rotation : 130 • 70 s/90°  
 Enclosure Protection : IP54 / IP65  
 Accessories : 24VAC



##### M180

Norminal Torque : 80 Nm  
 Time for Rotation : 130 • 70 s/90°  
 Enclosure Protection : IP54 / IP65  
 Accessories : 24VAC



##### OA6

Norminal Torque : 63 Nm  
 Time for Rotation : 6 s/90°  
 Enclosure Protection : IP67  
 Accessories : 3 x 400VAC



##### OA8

Norminal Torque : 63 Nm  
 Time for Rotation : 6 s/90°  
 Enclosure Protection : IP67  
 Accessories : 3 x 400VAC



##### OAP8

Norminal Torque : 80 Nm  
 Time for Rotation : 30 s/90°  
 Enclosure Protection : IP67  
 Accessories : 3 x 400VAC



##### AS18

Norminal Torque : 180 Nm  
 Time for Rotation : 6 s/90°  
 Enclosure Protection : IP67  
 Accessories : 3 x 400VAC



##### ASP25

Norminal Torque : 250 Nm  
 Time for Rotation : 30 / 60 s/90°  
 Enclosure Protection : IP67  
 Accessories : 3 x 400VAC

## ELECTRIC QUARTER TURN ACTUATOR

### M SERIES



#### AS50

Norminal Torque : 500 Nm  
Time for Rotation : 30 / 60 s/90°  
Enclosure Protection : IP67  
Accessories : 3 x 400VAC



#### Electric Quarter Turn Actuators

##### M - Series

- Proven and reliable design.
- Interesting torque range of 6 Nm to 80 Nm.
- Exceptional cost-performance ratio.

### PNEUMATICS LINEAR ACTUATOR

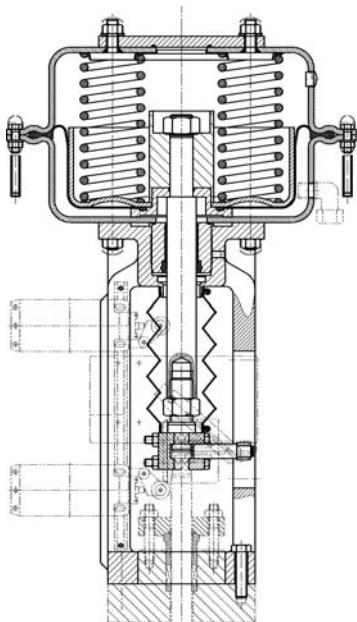
#### PA-N SERIES

#### SPECIFICATIONS

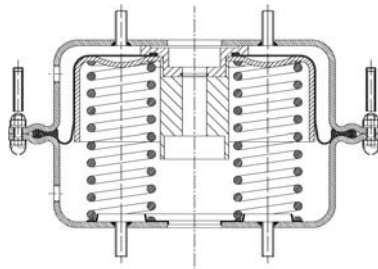
1. Active diaphragm size from 160 to 2.160 cm<sup>2</sup>.
2. Exceptional rugged design
3. Suitable for temperatures down to - 40°C as well as for ATEX applications.
4. Direction of force changeable by turning the housing topside down.
5. Suitable to be used in aggressive atmospheres.
6. Mount made of pillars (PA-N160 & PA-300), and made of cast steel 1.1131 with Namur-Adaption, positioner directly adaptable.

#### INTERNAL DESIGN : PA-N540, 1080, 2160

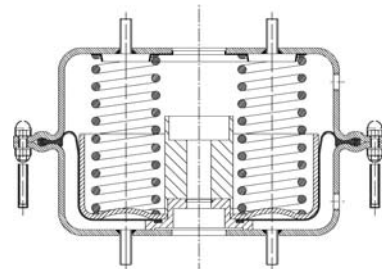
1. Rolling diaphragm, extremely reliable. No change of active size during movement.
2. Direction of force changeable by turning the housing topside down.
3. Plate with pre-formed centering for the springs.
4. Easy to upgrade to a large tandem arrangement or to a configuration with handwheel.



**Spring Opens**



**Spring Closes**



### PNEUMATICS LINEAR ACTUATOR

#### PA-N SERIES



##### PA-N160

Diaphragm Size : 160 cm<sup>2</sup>  
 Stroke : 20 mm  
 Operating Pressure : max. 6 bar  
 Accessories : Limit Switch



##### PA-N280

Diaphragm Size : 280 cm<sup>2</sup>  
 Stroke : 20 / 30 mm  
 Accessories : Limit Switch



##### PA540

Diaphragm Size : 540 cm<sup>2</sup>  
 Stroke : 30 / 50 mm  
 Accessories : Limit Switch



##### PA1080

Diaphragm Size : 1080 cm<sup>2</sup>  
 Stroke : 60 / 80 mm  
 Accessories : Limit Switch



##### PA2160

Diaphragm Size : 2160 cm<sup>2</sup>  
 Stroke : 60 / 80 mm  
 Accessories : Limit Switch

#### General contact details

**ASIAVALVES CORP.**  
 Lot D-1S-CN, D-1U-CN,  
 My Phuoc 3 Industrial Zone,  
 Ben Cat, Binh Duong, Vietnam  
 T : 0650-351 01 55-56-57  
 F : 0650-351 01 53-54  
[asia\\_sales@ms.asiavalves.com.vn](mailto:asia_sales@ms.asiavalves.com.vn)