

## Fig No: DA-BFC400 / SR-BFC400

1/2" ~ 12" ( DN 15 ~ DN 300 )

DA: Double Acting SR: Spring Return



### Valve Specification :

**Lug Type Butterfly Valve**

**Design Specification according to API 609**

Face to face according to API 609

Material : Stainless Steel, Carbon Steel, Ductile Iron or Cast Iron

Actuator Mounting in accordance with ISO 5211 direct mounting

Connection : JIS 10K/ ANSI 150/ PN 16

Working pressure :

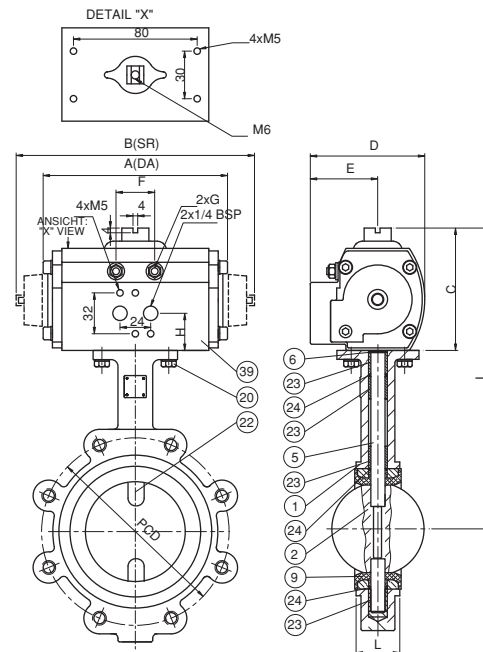
	Working Pressure	Shell Testing Pressure
Cast Iron / ASME B 16.1	232 Psi (16 bar)	348 Psi (24 bar)
Ductile Iron / ASME B 16.42	250 Psi (18 bar)	375 Psi (27 bar)
Stainless Steel / ASME B 16.34	275 Psi (20 bar)	413 Psi (30 bar)

Seat temp. range:

MATERIALS	TEMP. RANGE
NBR (NITRILE)	-10° ~ 80° C (14° ~ 176° F)
EPDM	-20° ~ 120° C (-4° ~ 248° F)
NEOPRENE(CR)	0° ~ 80° C (32° ~ 176° F)
SILICON	-20° ~ 204° C (-4° ~ 400° F)
HYPALON (CSM)	-20° ~ 135° C (-4° ~ 275° F)
VITON	-18° ~ 204° C (-0.4° ~ 400° F)

### MATERIALS LIST

NO.	PART NAME	MATERIAL	QTY
1	BODY	CF8M / CF8 / WCB / CAST IRON / DUCTILE IRON	1
2	DSIC	CF8M / CF8 / CAST IRON / BRONZE	1
5	STEM	SS316 / SS410 / SS416	1
6	FOLLOWER	BRONZE	1
9	SEAT	EPDM / NBR / PTFE / VITON	1
20	BOLT	SS304	4
22	LOCATING PIN	SS316	2
23	STEM BUSHING	PTFE.	4
24	O-RING	NBR / EPDM	3
39	PNEUMATIC ACTUATOR	ALUMINUM	1



### DIMENSIONS

Unit:mm

SIZE	2"		2-1/2"		3"		4"		5"		6"		8"		10"		12"	
Air Supply	80 PSI		80 PSI		80 PSI		80 PSI		80 PSI		80 PSI		80 PSI		80 PSI		80 PSI	
ACTUATOR	DA	SR	DA	SR	DA	SR	DA	SR	DA	SR	DA	SR	DA	SR	DA	SR	DA	SR
	C-250	C-450 SR4	C-250	C-1000 SR2	C-250	C-1000 SR3	C-450	C-2250 SR3	C-1000	C-2250 SR4	C-2250	C-3650 SR4	C-2250	C-11000 SR3	C-3650	C-11000 SR4	C-5000	**
P C D	ANSI 150#	120.7	139.7	152.4	190.5	215.9	241.3	296.5	362.0	431.8								
	DIN PN10/16	125.0	145.0	160.0	180.0	210.0	240.0	295.0	350.0	400.0								
	JIB 10K	103.0	12.0	128.0	160.0	191.0	215.5	268.0	324.0	401.0								
A	144.3	**	144.3	**	144.3	**	149.2	**	183.0	**	259.6	**	259.6	**	304.3	**	364.4	**
B	**	205.6	**	250.0	**	250.0	**	355.0	**	355.0	**	422.0	**	642.0	**	642.0	**	**
C	99.0	118.0	99.0	141.0	99.0	141.0	118.0	161.0	141.0	161.0	161.0	196.0	161.0	263.7	196.0	263.7	216.0	**
D	81.4	95.0	81.4	119.0	81.4	119.0	95.0	140.5	119.0	140.5	140.5	185.2	140.5	238.2	185.2	238.2	204.8	**
E	47.8	51.5	47.8	64.5	47.8	64.5	51.5	75.5	64.5	75.5	75.5	105.5	75.5	125.0	105.5	125.0	107.8	**
F	32.5	32.5	32.5	46.2	32.5	46.2	32.5	54.0	46.2	54.0	54.0	79.7	54.0	95.3	79.7	95.3	79.4	**
G	M5xP0.8	M6xP1.0	M5xP0.8	M8xP1.25	M5xP0.8	M8xP1.25	M6xP1.0	M10xP1.5	M8xP1.25	M10xP1.5	M10xP1.5	M12xP1.75	M10xP1.5	M16xP2.0	M12xP1.75	M16xP2.0	M12xP1.75	**
H	29.7	30.2	29.7	33.5	29.7	33.5	30.2	39.0	33.5	39.0	39.0	97.4	39.0	124.7	97.4	124.7	99.0	**
I	261.0	280.0	274.0	316.0	280.0	322.0	318.0	361.0	354.0	374.0	386.0	421.0	421.0	523.7	488.0	555.7	553.0	**
L	45.0		48.0		49.0		55.0		58.0		59.0		64.0		70.0		80.0	