

## Fig No:EL-BFC200

1/2" ~ 12" ( DN 15 ~ DN 300 )



### Valve Specification :

#### Wafer Type Butterfly Valve

#### Design Specification according to API 609

Face to fact according to API 609

Material : Stainless Steel, Carbon Steel, Ductile Iron or Cast Iron  
Actuator Mounting in accordance with ISO 5211 direct mounting

Connection : JIS 10K/ ANSI 150/ PN 16

Working pressure :

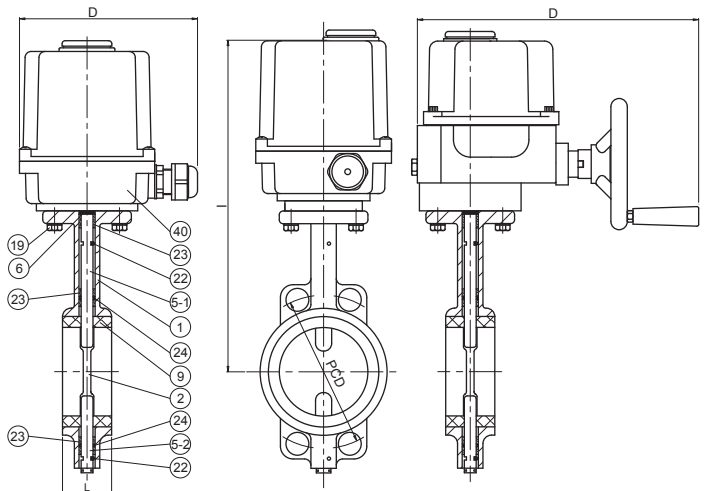
	Working Pressure	Shell Testing Pressure
Cast Iron / ASME B 16.1	232 Psi (16 bar)	348 Psi (24 bar)
Ductile Iron / ASME B 16.42	250 Psi (18 bar)	375 Psi (27 bar)
Stainless Steel / ASME B 16.34	275 Psi (20 bar)	413 Psi (30 bar)

Seat temp. range:

MATERIALS	TEMP. RANGE
NBR (NITRILE)	-10° ~ 80° C (14° ~ 176° F)
EPDM	-20° ~ 120° C (-4° ~ 248° F)
NEOPRENE(CR)	0° ~ 80° C (32° ~ 176° F)
SILICON	-20° ~ 204° C (-4° ~ 400° F)
HYPALON (CSM)	-20° ~ 135° C (-4° ~ 275° F)
VITON	-18° ~ 204° C (-0.4° ~ 400° F)

### MATERIALS LIST

NO.	PART NAME	MATERIAL	QTY
1	BODY	CF8M / CF8 / WCB / CAST IRON / DUCTILE IRON	1
2	DSIC	CF8M / CF8 / CAST IRON / BRONZE	1
5-1	LOWER SHAFT	SS316 / SS410	1
5-2	UPPER SHAFT	SS316 / SS410	1
6	FOLLOWER	BRONZE	1
9	SEAT	EPDM / NBR / PTFE / VITON	1
20	BOLT	SS304	4
22	LOCATING PIN	SS316	2
23	STEM BUSHING	PTFE.	3
24	O-RING	NBR / EPDM	2
40	ELECTRIC ACTUATOR	NYLON	1



### DIMENSIONS

Unit:mm

SIZE	2"				2-1/2"				3"				4"				5"				6"				8"				10"				12"				
ELECTRIC FIG.	UM-1				UM-1				UM-1				UM-3				UM-3				UM-3				UM-4				UM-6				UM-6				
POWER REQUIREMENT	110 VAC	220 VAC	24 VAC	24 DVC	110 VAC	220 VAC	24 VAC	24 DVC	110 VAC	220 VAC	24 VAC	24 DVC	110 VAC	220 VAC	24 VAC	24 DVC	110 VAC	220 VAC	24 VAC	24 DVC	110 VAC	220 VAC	24 VAC	24 DVC	110 VAC	220 VAC	24 VAC	24 DVC	110 VAC	220 VAC	24 VAC	24 DVC					
D	148.0	148.0	148.0	148.0	148.0	148.0	148.0	148.0	148.0	148.0	148.0	148.0	200.0	200.0	200.0	200.0	200.0	200.0	200.0	200.0	200.0	200.0	200.0	200.0	203.0	203.0	203.0	203.0	203.0	203.0	203.0	203.0	203.0	203.0	203.0	203.0	
I	382.0	382.0	382.0	382.0	408.0	408.0	408.0	408.0	420.0	420.0	420.0	420.0	479.0	479.0	479.0	479.0	505.0	505.0	505.0	505.0	530.0	530.0	530.0	530.0	677.0	677.0	677.0	677.0	767.0	767.0	767.0	767.0	851.0	851.0	851.0	851.0	
L	45.0				48.0				49.0				55.0				58.0				59.0				64.0				70.0				80.0				
PCD	ANSI 150#	120.7				139.7				152.4				190.5				215.9				241.3				298.5				362.0				431.8			
	DIN PN10/16	125.0				145.0				160.0				180.0				210.0				240.0				295.0				350.0				400.0			
	JIS 10K	103.0				120.0				128.0				160.0				191.0				215.5				268.0				324.0				401.0			