

**Fig No:EL-24 ANSI 150#**

1/2" ~ 6" ( DN 15 ~ DN 150 )



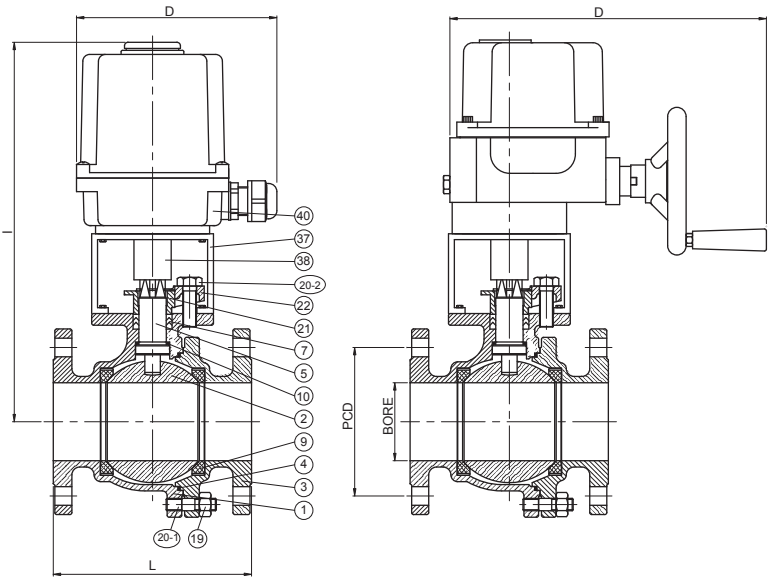
**Valve Specification :**

**Design Specification According to API 608**

Material : Stainless Steel, Carbon Steel or Special Alloy upon request  
 Blow-out-proof stem design & Anti-static design  
 Stem packing to comply with **TA-Luft** requirements  
 Actuator Mounting Shall be according to ISO 5211  
 Face to Face according to ANSI B16.10 Class 150  
 Flange Dimension according to ANSI B16.5 Class 150  
 Working Pressure according to ANSI B16.34 Class 150  
 Temperature Range : -4 to 356 °F ( -20 to 180 °C )  
 Pressure Test According to API 598 :  
 Shell test by water : working pressure x 1.5 time  
 Closure seat by Air : 80 ~ 100 Psi

**MATERIALS LIST**

NO	PART NAME	MATERIAL	Q'TY
1	BODY	ASTM A351 GR.CF8M	1
2	END CAP	ASTM A351 GR.CF8M	1
3	BALL	ASTM A351 GR.CF8M	1
4	BODY SEAL	PTFE.	2
5	STEM	SS316	1
7	STEM PACKING	PTFE.	1 SET
9	SEAT	RTFE.	2
10	THRUST WASHER	PTFE.	1
17	STEM NUT	SS304	1
19	BOLT NUT	SS304	4~12
20-1	STUD	SS304	4~12
20-2	BOLT	SS304	8
21	GLAND	SS301	1 SET
29	BOLT WASHER	SS304	4
37	MOUNTING BRACKET	SS304	1
38	ADAPTER	SS304	1
40	ELECTRIC ACTUATOR	NYLON	1



**DIMENSIONS**

Unit:mm

SIZE	1/2"				3/4"				1"				1-1/4"				1-1/2"				2"				2-1/2"				3"				4"				5"				6"			
ELECTRIC FIG.	UM-1				UM-1				UM-1				UM-2				UM-3				UM-3				UM-3				UM-3				UM-4				UM-5				UM-6			
VOLTAGE	110 VAC	220 VAC	24 VAC	24 DVC	110 VAC	220 VAC	24 VAC	24 DVC	110 VAC	220 VAC	24 VAC	24 DVC	110 VAC	220 VAC	24 VAC	24 DVC	110 VAC	220 VAC	24 VAC	24 DVC	110 VAC	220 VAC	24 VAC	24 DVC	110 VAC	220 VAC	24 VAC	24 DVC	110 VAC	220 VAC	24 VAC	24 DVC	110 VAC	220 VAC	24 VAC	24 DVC	110 VAC	220 VAC	24 VAC	24 DVC				
BORE	15.0				20.0				25.0				32.0				40.0				50.0				65.0				80.0				100.0				125.0				150.0			
D	148.0	148.0	148.0	148.0	148.0	148.0	148.0	148.0	148.0	148.0	148.0	148.0	148.0	148.0	148.0	148.0	200.0	200.0	200.0	200.0	200.0	200.0	200.0	200.0	200.0	200.0	200.0	200.0	350.0	350.0	350.0	350.0	350.0	350.0	350.0	350.0	350.0	350.0	350.0	350.0				
I	246.5	246.5	246.5	246.5	249.0	249.0	249.0	249.0	252.5	252.5	252.5	252.5	314.8	314.8	314.8	314.8	307.3	307.3	307.3	307.3	314.8	314.8	314.8	314.8	340.0	340.0	340.0	340.0	352.0	352.0	352.0	352.0	441.0	441.0	441.0	441.0	480.0	480.0	480.0	480.0	543.0	543.0	543.0	543.0
L	108.0				117.0				127.0				140.0				165.0				178.0				190.0				203.0				229.0				355.0				393.0			
PCD	60.5				70.0				79.5				89.0				98.5				120.5				139.5				152.5				190.5				216.0				241.5			