

Fig No:EL-24 JIS10K.

1/2" ~ 6" (DN 15 ~ DN 150)



Valve Specification :

Design Specification According to ANSI B16.34

Material : Stainless Steel, Carbon Steel or Special Alloy upon request

Blow-out-proof stem design & Anti-static design

Stem packing to comply with **TA-Luft** requirements

Actuator Mounting Shall be in according to ISO 5211

Face to Face according to JIS B2210

Flange Dimension according to JIS B2002

Temperature Range : -4 to 356 °F (-20 to 180 °C)

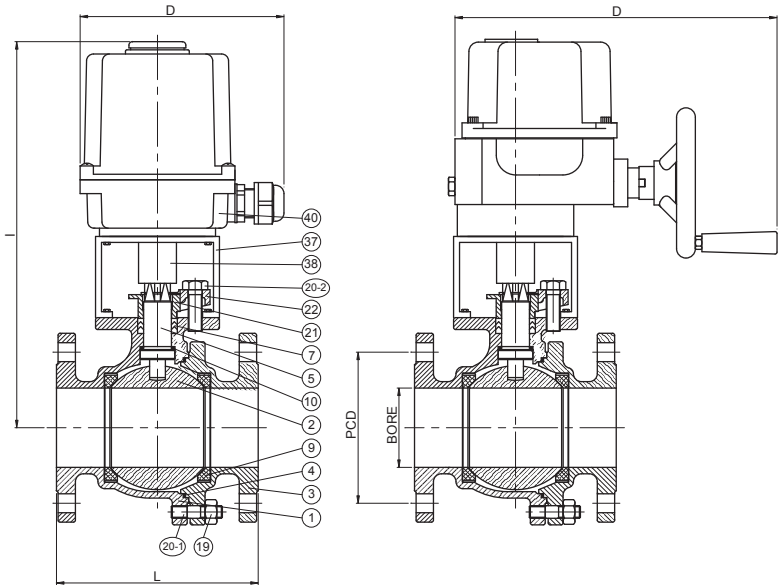
Pressure Test According to API 598

Shell test by water : working pressure x 1.5 time

Closure seat by Air : 80 Psi ~ 100 Psi

MATERIALS LIST

NO	PART NAME	MATERIAL	Q'TY
1	BODY	SCS14	1
2	END CAP	SCS14	1
3	BALL	SCS14	1
4	BODY SEAL	PTFE.	2
5	STEM	SS316	1
7	STEM PACKING	PTFE.	1 SET
9	SEAT	RTFE.	2
10	THRUST WASHER	PTFE.	1
17	STEM NUT	SS304	1
19	BOLT NUT	SS304	4~12
20-1	STUD	SS304	4~12
20-2	BOLT	SS304	8
21	GLAND	SS301	1 SET
29	BOLT WASHER	SS304	4
37	MOUNTING BRACKET	SS304	1
38	ADAPTER	SS304	1
40	ELECTRIC ACTUATOR	NYLON	1



DIMENSIONS

Unit:mm

SIZE	1/2"				3/4"				1"				1-1/4"				1-1/2"				2"				2-1/2"				3"				4"				5"				6"			
ELECTRIC FIG.	UM-1				UM-1				UM-1				UM-2				UM-3				UM-3				UM-3				UM-3				UM-4				UM-5		UM-6		UM-6			
VOLTAGE	110 VAC	220 VAC	24 VAC	24 DVC	110 VAC	220 VAC	24 VAC	24 DVC	110 VAC	220 VAC	24 VAC	24 DVC	110 VAC	220 VAC	24 VAC	24 DVC	110 VAC	220 VAC	24 VAC	24 DVC	110 VAC	220 VAC	24 VAC	24 DVC	110 VAC	220 VAC	24 VAC	24 DVC	110 VAC	220 VAC	24 VAC	24 DVC	110 VAC	220 VAC	24 VAC	24 DVC	110 VAC	220 VAC	24 VAC	24 DVC	110 VAC	220 VAC	24 VAC	24 DVC
BORE	15.0				20.0				25.0				32.0				40.0				50.0				65.0				80.0				100.0				125.0				150.0			
D	148.0	148.0	148.0	148.0	148.0	148.0	148.0	148.0	148.0	148.0	148.0	148.0	148.0	148.0	148.0	148.0	200.0	200.0	200.0	200.0	200.0	200.0	200.0	200.0	200.0	200.0	200.0	200.0	350.0	350.0	350.0	350.0	350.0	350.0	350.0	350.0	480.0	480.0	480.0	480.0	543.0	543.0	543.0	543.0
I	246.5	246.5	246.5	246.5	249.0	249.0	249.0	249.0	252.5	252.5	252.5	252.5	314.8	314.8	314.8	314.8	307.3	307.3	307.3	307.3	314.8	314.8	314.8	314.8	340.0	340.0	340.0	340.0	352.0	352.0	352.0	352.0	441.0	441.0	441.0	441.0	480.0	480.0	480.0	480.0	543.0	543.0	543.0	543.0
L	108.0				117.0				127.0				140.0				165.0				178.0				190.0				203.0				229.0				300.0				340.0			
PCD	70.0				75.0				90.0				100.0				105.0				120.5				140.0				150.0				175.0				210.0				240.0			