

## Fig No:EL-24 PN10/16

1/2" ~ 6" ( DN 15 ~ DN 150 )



### Valve Specification :

#### Design Specification According to EN 12516-1

Material : Stainless Steel, Carbon Steel or Special Alloy upon request

Blow-out-proof stem design & Anti-static design

Stem packing to comply with **TA-Luft** requirements

Actuator Mounting Shall be in according to ISO 5211

Face to Face according to EN 558-1

Flange Dimension according to EN 1092-1

Temperature Range : -4 to 356 °F ( -20 to 180 °C )

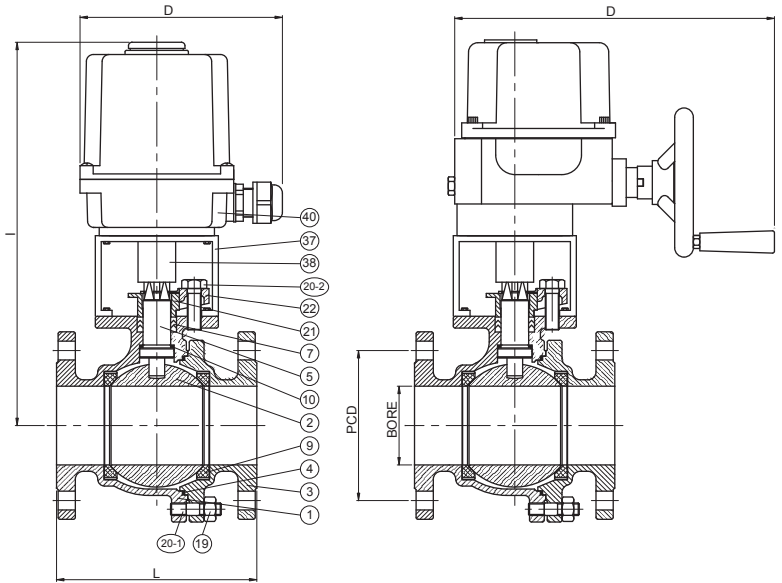
Pressure Test According to EN 12266 / API 598

Shell test by water : working pressure x 1.5 time

Closure seat by Air : 6.9 bar

### MATERIALS LIST

NO	PART NAME	MATERIAL	Q'TY
1	BODY	ASTM A351 GR.CF8M	1
2	END CAP	ASTM A351 GR.CF8M	1
3	BALL	EN 10213 - 4 / 1.4408	1
4	BODY SEAL	PTFE.	2
5	STEM	SS316	1
7	STEM PACKING	PTFE.	1 SET
9	SEAT	RTFE.	2
10	THRUST WASHER	PTFE.	1
17	STEM NUT	SS304	1
19	BOLT NUT	SS304	4~12
20-1	STUD	SS304	4~12
20-2	BOLT	SS304	8
21	GLAND	SS301	1 SET
29	BOLT WASHER	SS304	4
37	MOUNTING BRACKET	SS304	1
38	ADAPTER	SS304	1
40	ELECTRIC ACTUATOR	NYLON	1



### DIMENSIONS

Unit:mm

SIZE	1/2"				3/4"				1"				1-1/4"				1-1/2"				2"				2-1/2"				3"				4"				5"				6"			
ELECTRIC FIG.	UM-1				UM-1				UM-1				UM-2				UM-3				UM-3				UM-3				UM-3				UM-4				UM-5				UM-6			
VOLTAGE	110 VAC	220 VAC	24 VAC	24 DVC	110 VAC	220 VAC	24 VAC	24 DVC	110 VAC	220 VAC	24 VAC	24 DVC	110 VAC	220 VAC	24 VAC	24 DVC	110 VAC	220 VAC	24 VAC	24 DVC	110 VAC	220 VAC	24 VAC	24 DVC	110 VAC	220 VAC	24 VAC	24 DVC	110 VAC	220 VAC	24 VAC	24 DVC	110 VAC	220 VAC	24 VAC	24 DVC	110 VAC	220 VAC	24 VAC	24 DVC				
BORE	15.0				20.0				25.0				32.0				40.0				50.0				65.0				80.0				100.0				125.0				150.0			
D	148.0	148.0	148.0	148.0	148.0	148.0	148.0	148.0	148.0	148.0	148.0	148.0	148.0	148.0	148.0	148.0	200.0	200.0	200.0	200.0	200.0	200.0	200.0	200.0	200.0	200.0	200.0	200.0	350.0	350.0	350.0	350.0	350.0	350.0	350.0	350.0	350.0	350.0	350.0	350.0				
I	246.5	246.5	246.5	246.5	249.0	249.0	249.0	249.0	252.5	252.5	252.5	252.5	314.8	314.8	314.8	314.8	307.3	307.3	307.3	307.3	314.8	314.8	314.8	314.8	340.0	340.0	340.0	340.0	352.0	352.0	352.0	352.0	441.0	441.0	441.0	441.0	480.0	480.0	480.0	480.0	543.0	543.0	543.0	543.0
L	115.0				120.0				125.0				130.0				140.0				150.0				170.0				180.0				190.0				200.0				210.0			
PCD	65.0				75.0				85.0				100.0				110.0				125.0				145.0				160.0				180.0				210.0				240.0			